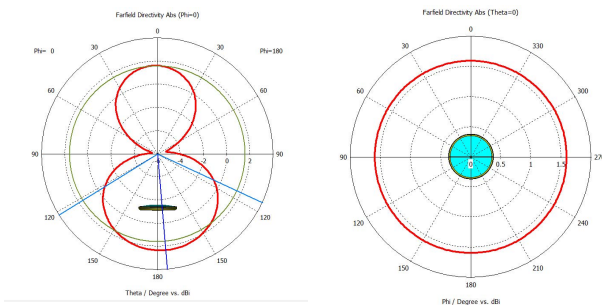




CIRCULAR TRAK

Technical Specifications

- **RF protocol** EPC global Class 1 Gen 2
- **Frequency** 902-928 MHz (US); 865-868 MHz (EU)
- **IC type (chip)**¹ Impinj R6-P
- **Chip memory** 128/96 bits EPC; 48 bits TID; 32/64 bits user memory
- **Read range on metal**² Up to 7.55 ft (2.30 m) US
- **Read range off metal**² Up to 4.27 ft (1.30 m) US
- **Polarization** Linear
- **Radiation pattern on metal**



Key Features

- + **Food-grade silicone:** withstand detergents
- + **Hig-temp resistance:** survive up to 100C washes
- + **IP68:** waterproof
- + **Multi-surface:** for metal and non-metal
- + **Durable:** designed for the circular economy

Applications

- **Hospitality and food industry**
- **Reusable containers**
- **Metal equipment**

Environmental Specifications

Temperatures



- **Operational** -40°C to +85°C
- **Survival** -40°C to +100°C

- **IP rating** IP68
- **Compression strength** 145psi (1MPa)
- **Shock** 3ft (1 m) to concrete/granite
- **Vibration** MIL-STD-810G
- **Warranty** 1 year

¹ The chip data retention is up to 50 years, based on chip operating under general environment conditions.

² Fix reader.

³ The chemical resistance is based on the concentration of solutions and application environment. Please contact Xerafy for further details on chemical resistance.



Physical Specifications

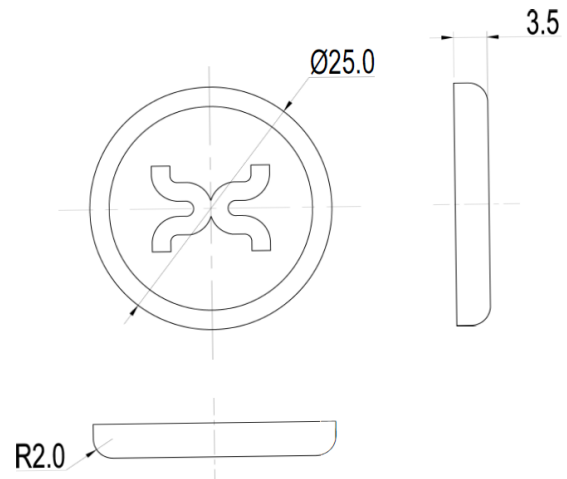
- **Material** Food grade silicone
- **Dimensions (in)**¹ \varnothing 0.98 x 0.14
- **Dimensions (mm)**¹ \varnothing 25x 3.50
- **Weight** 0.08 oz (2.20 g)

Mounting Systems

- Food grade silicone glue

Installation Instructions

1. Clean the surface using Isopropyl alcohol, alcohol pad or equivalent solvent to ensure surface is free from dirt, dust, oil and misc, debris that may affect adhesion.
2. Handle the Circular TRAK by the edges and apply silicone glue to the back of the tag, ensuring not to touch the glue.
3. Place the tag in desired tagging location and firmly apply even pressure to the tag for 10 seconds.
4. Keep the tag facing up and do not touch it for 24 hours to ensure the silicone glue fully solidifies.



¹ Tolerance: +/- 0.004; +/- 0.100

Industry Compliance



Order Information

Circular TRAK US: X0553-US170-R6P

Circular TRAK EU: X0553-EU170-R6P

Customization Options

Encoding

Laser Marking

The information provided by Xerafy Singapore Pte. Ltd. is for general information purposes only. All information on the datasheet is provided in good faith. However we make no representation or warranty of any kind, express or implied, regarding the accuracy, adequacy, validity, reliability, availability, or completeness of any information on the datasheet.

Under no circumstance shall we have any liability to you for any loss or damage of any kind incurred as a result of the use of the product or reliance on any information provided on the datasheet. Your use of the product and your reliance on any information on the datasheet is solely at your own risk.